

REPORT OF COMPLETED WORKS -- SEACOAST FORTIFICATIONS
(Gun and Mortar Batteries)

COAST DEFENSES OF SAN FRANCISCO, CALIF.

FORT. FUNSTON

BATTERY BRUFF

Form 1 Corrected to SEPTEMBER 1, 1923.

No. of guns 0 Caliber Carriage 0

Battery commenced -----	1917.	Source of electric current -- Commercial power; aerial line.
Battery completed -----	1918.	
Date of transfer -----	Jan. 30, 1919.	Max. kv. required for lights -- 1.2 k.w.
Material of construction ----	Concrete.	Max. kw. required for motors -- No motors.
Portland or Rosendale cement	Portland.	
Cost to date of transfer ----	\$3,572.16	
Connected to water supply ----	No.	Present condition of battery -- Good.
Connected to sewer -----	Yes.	Rooms wet or dry ----- No rooms.
Type of latrine -----	None.	
Type of data transmission ----	Telephone.	How ventilated ----- No ventilation. **
French Elevation int. crest of battery -----	39.0	Remarks ----- **No magazines or rooms as yet constructed. Temporary shelter for projectiles and powder provided by troops.
Datum plane -----	M.L.L.W.	

ARMAMENT.

Emplacement or mortar No.	Guns or Mortars				Carriages						
	Cal.	length	model	Serial No.	Manufacturer	mounted	Type	model	Serial No.	Manufacturer	Motor
1											
2											
3											
4											
5											
6											
7											
8											

GUNS AND CARRIAGES REMOVED.

TWO
(PLATFORMS FOR 5-INCH GUNS ON BARBETTE CARRIAGES.)

HOISTS.

Emplacement Number	Type	Delivery	Motor					Date of transfer	Remodeled for long points.
			Serial No.	Maker	H.P.	Volts	RPM		
1									
2									
3									
4									

NO HOISTS REQUIRED.

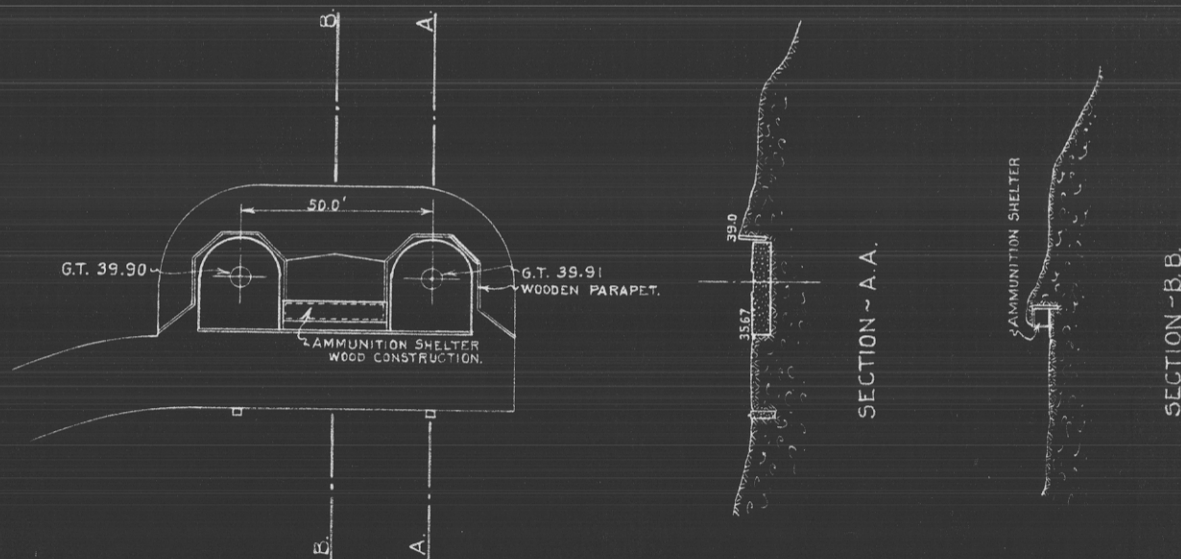
REPORT OF COMPLETED WORKS ~ SEACOAST FORTIFICATIONS
(BATTERY PLAN)

COAST DEFENSES OF SAN FRANCISCO, CAL.
FORT FUNSTON
BATTERY BRUFF

CORRECTED TO AUG. 1923.

FORM-7

NO. OF GUNS 0 : CALIBER - : NO. OF CARRIAGES 0
EMPTS FOR 5^{IN} GUNS, BARBETTE CARRIAGES.



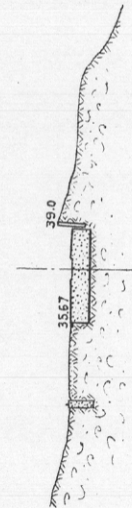
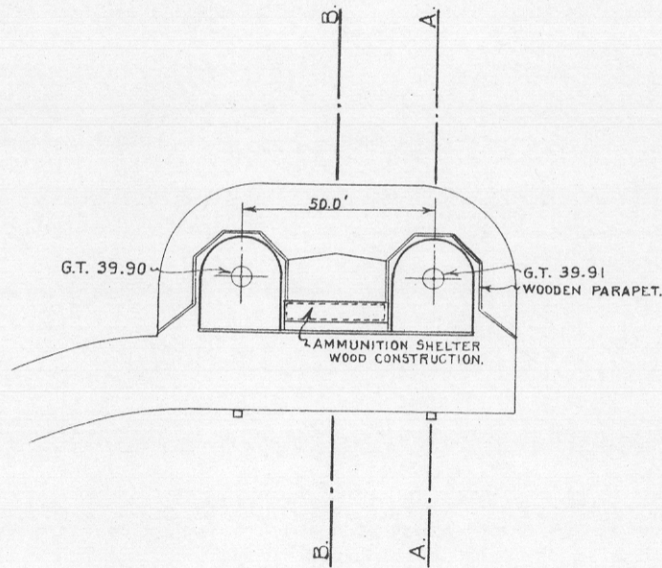
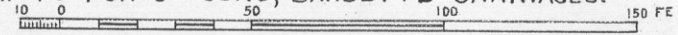
REPORT OF COMPLETED WORKS ~ SEACOAST FORTIFICATIONS
(BATTERY PLAN)

COAST DEFENSES OF SAN FRANCISCO, CAL.
FORT FUNSTON
BATTERY BRUFF

CORRECTED TO AUG. 1923.

FORM-7

No. OF GUNS 0: CALIBER—: No. OF CARRIAGES 0
EMPTS FOR 5^{IN} GUNS, BARBETTE CARRIAGES.



SECTION ~ A.A.



SECTION ~ B.B.

Superseded

REPORT OF COMPLETED WORKS -- SEACOAST FORTIFICATIONS
(Gun and Mortar Batteries)

COAST DEFENSES OF SAN FRANCISCO, CAL.
FORT. FUNSTON, CAL.
BATTERY, WALTER HOWE
No. of ~~guns~~ ^{Mortars} FOUR Caliber 12-INCH Carriage MORTAR

Form 1 Corrected to **MAR 1 1920**

Battery commenced -----	1917	Source of electric current -----	Commercial power, Aerial lines.
Battery completed -----	1918		
Date of transfer -----	Jan. 30, 1919.	Max. kv. required for lights	3.3 K.W.
Material of construction -----	Concrete.	Max. kw. required for motors	No motors.
Portland or Rosendale cement	Portland.		
Cost to date of transfer -----	\$8,355.93		
Connected to water supply -----	Yes.	Present condition of battery	Good.
Connected to sewer -----	Yes.	Rooms wet or dry -----	Dry.
T. of latrine -----	Syphon.		
Type of data transmission -----	Telephone.	How ventilated -----	Windows.
Transmission elevation in floor battery of pits -----	25.0	Remarks -----	Plotting room, Guard room and temporary tool room, all wooden frame structures. No magazines yet provided. Magazines under construction.
Datum plane -----	M.L.L.W.		

ARMAMENT.

Emplacement or mortar No.	Mortars				Carriages						
	Cal.	length	model	Serial No.	Manufacturer	mounted	Type	model	Serial No.	Manufacturer	Motor
1 PIT A 1	12"	11'8"	1890M1	23	Builders I. Fdy.	Yes.	Steel	1896M1	96	Robt. Poole Sons	None
2 PIT A 2	12"	11'8"	1890M1	28c	Watervliet Ars.	Yes.	Steel	1896M1	95	" "	"Corequired
3 PIT B 1	12"	11'8"	1890M1	46	Watervliet Ars.	Yes.	Steel	1896M1	80	" "	"
4 PIT B 2	12"	11'8"	1890M1	22b	Bethlehem S. Co.	Yes.	Steel	1896M1	79	" "	"
5											
6											
7											
8											

HOISTS.

Emplacement Number	Type	Delivery	Motor					Date of transfer	Remodeled for long points.
			Serial No.	Maker	H.P.	Volts	RPM		
1									
2									
3									
4									

NO HOISTS REQUIRED.

Superseded See Form 1, Oct. 1, 1927